



Pellet Stoves | Catalogue 2019





The beginnings

TMC Srl was founded in the year 1980 and has developed its activity in the heating industry. TMC has strengthened in the years the production of LPG heaters for home usage and of infrared heaters for outdoor usage, nowadays TMC is one of the European leader companies in the heating industry. TMC, always beware of the environmental matter and of the alternative energies, decides to dedicate to the research and development of devices with a high thermic efficiency, easy to use, functioning with biomass: so come the TMC Pellet Stoves.

Nowadays

TMC is focused in the production of LPG and pellet machinery for home and working place heating. The value for money and the product reliability have guided TMC to the reaching of the main goal: the INNOVATION for the Customer SATISFACTION. TMC designs and builds its products internally. The accurate check of the production, the cooperation with certified suppliers, the usage of the most innovative technologies, a constant investment in the training and in the human resources grant the reliability of our products. In our factory, we have a test laboratory with innovative technological equipment, which allows us, already in the project phase, to create a product in conformity with the most restrictive European laws.

The trial phase during the production cycle allows us to find eventual anomalies.

The long and meticulous testing cycle make the first power-up unnecessary.



This catalogue expresses our continuous diligence and obligation in creating high quality products, conscious of our responsibility towards the final customer.

We have always dedicated the maximum attention in design and produce biomass-heating machinery, following the most restrictive European laws. This allows us to grant high quality and safety standards. The constant attention to the customers' needs has permitted us to create a very professional selling network and a technical assistance network those grant the lifelong functionality of the product.





Nature's allies





Nature's allies

The pellet is obtained using parts deriving from the wood production cycle. Burning, it produces limited carbon dioxide emissions, in the same quantities of the carbon dioxide absorbed by the plants during their vital cycle.

The ash could be used as an agricultural fertilizer.

The raw material of the pellet should be without additive, varnish and glue, therefore, deriving from the wood is less polluting of other kind of fuel.

AIR PELLET STOVES



TMC 1250 Power Glass	p. 10
TMC 1250 Power Glass Air	p. 14
TMC 900 Elegance	p. 18
TMC 900 Ronde	p. 22
TMC 900 Ronde Glass	p. 26
TMC 900 Kubo	p. 30
TMC 850 Plat	p. 34
TMC 810 Elegance	p. 38
TMC 810 Glass	p. 42
TMC 810 Classic	p. 46
TMC 600 Compact	p. 50
TMC 900 Relax	p. 54
TMC 700 Deluxe	p. 58
TMC 800 Deluxe Air	p. 62

THERMO PRODUCTS from p. 68



Nature's allies



TMC 1250

Power Glass

Energy Class A+
(A++ <> G)



Global thermal power (kW)
Nominal thermal power

12,6 kW Global thermal power

11,2 kW Nominal thermal power

Maximum Heating volume
320 cubic meter*

⌚ Autonomy until
45 hours

Dimensions
L 47,2 x H 126 x W 55 cm

Efficiency
max 96,1%

Consumption Kg/h
Min. 0,66 – max. 2,6

Certification: **kiwa**

PG315

Air Stove 

Pellet 

Wifi 



- ✓ **Pellet type function**
This function permits to choose under 5 different settings based on the type of pellet used.
- ✓ **Stand-by function**
Switching off function of the stove when the set temperature is exceeded. Automatic re-start function.
- ✓ **Daily and weekly programming**
This function allows the programming of the switching on and switching off for every single day of the week, hour by hour, in an easy and intuitive graphic format.

- ✓ **Big inner ashtray**
It allows a bigger ash stack and increases intervals between the cleanings.
- ✓ **Motor with encoder**
The functioning parameters are electronically checked in real time.
- ✓ **Wifi**
Control via Wifi with app MAGIC STOVE download at App Store and Play Store.



Cast iron brazier • Mechanical scrapers • Silent switch off
• Self-cleaning brazier • Big pellet feed tank

Made in Italy

 **TMC**
PELLET TECHNOLOGY



● Black

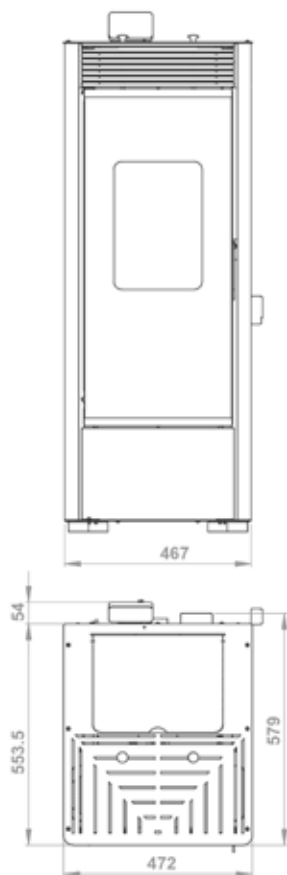
“ Whenever you want,
turn on a dream and
let it burn you .

(William Shakespeare)

”

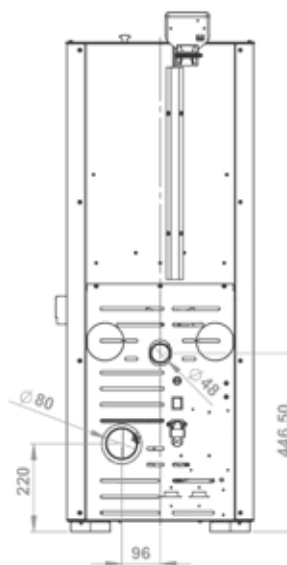


Ceramic glass front door
Varnished steel covering



Max. heating volume (cubic meter)*
 Power selection
 Global thermal power heat input (kW)
 Nominal thermal power heat output (kW)
 Min. thermal power (kW)
 Efficiency (%) max
 Fuel consumption hourly (Kg/h)
 Pellet tank capacity (kg)

320	Electrical power supply (V/Hz)	230/50
5	Electrical power by switching on (W)	259
12,60	Electrical power consumption at max power (W)	78
11,17	Electrical power consumption at min power (W)	47
3,10	Smoke exhaust pipe diameter (Ø mm)	80
96,1	Intake pipe diameter (Ø mm)	44
0,66-2,6	Net/Gross weight (kg)	105/120
30	Packaging measures (cm)	64x56 h140



TMC 1250 Power Glass



Saving

Excellent value for money – good performance – lower consumption.



Practicality

High autonomy thanks to the big pellet feed tank – big inner ashtray – air jet self-cleaning brazier – Silent switch off function (Soft cool and quiet cool) – automatic switch off when the set temperature is exceeded. Automatic re-start function.



Versatility

Easy and intuitive setting – weekly programming hour by hour – 5 different settings for different pellet types.



Safety

Protection device avoiding the over temperature of the big pellet feed tank – safety pressure switch – thermal protection for motor overheating – smoke temperature probe – anti burst device – certified by the most important Standard Institutes



2 years Warranty



WiFi function

TMC 1250

Power Glass Air

Energy Class A+

(A++ <> G)



12,6 kW Global thermal power

11,2 kW Nominal thermal power

Maximum Heating volume
320 cubic meter*

⌚ Autonomy until
45 hours

Dimensions
L 47,2 x H 126 x W 55 cm


Efficiency
max 96,1%

Consumption Kg/h
Min. 0,66 – max. 2,6

Certification: **kiwa**

PG315C



Air Stove 

Pellet 

Wifi 

With ducts 

- ✓ **Pellet type function**
This function permits to choose under 5 different settings based on the type of pellet used.
- ✓ **Stand-by function**
Switching off function of the stove when the set temperature is exceeded. Automatic re-start function.
- ✓ **Daily and weekly programming**
This function allows the programming of the switching on and switching off for every single day of the week, hour by hour, in an easy and intuitive graphic format.

- ✓ **Big inner ashtray**
It allows a bigger ash stack and increases intervals between the cleanings.
- ✓ **Motor with encoder**
The functioning parameters are electronically checked in real time.
- ✓ **Wifi**
Control via Wifi with app MAGIC STOVE download at App Store and Play Store.
- ✓ **Independent fans control**
The two back ducts are controlled in independent way from dedicated fans.

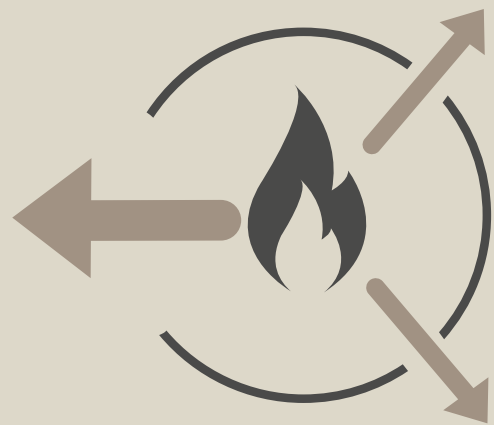


- Cast iron brazier • Mechanical scrapers • Big pellet feed tank
- Silent switch off • Self-cleaning brazier
- Room independent ventilation

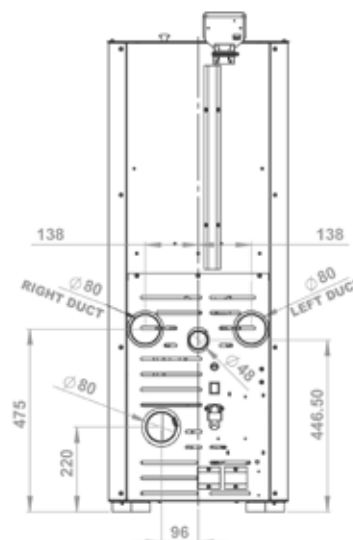
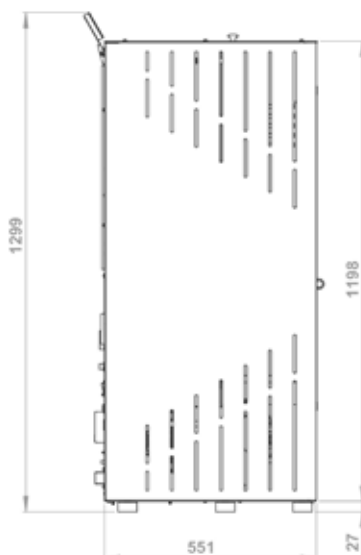
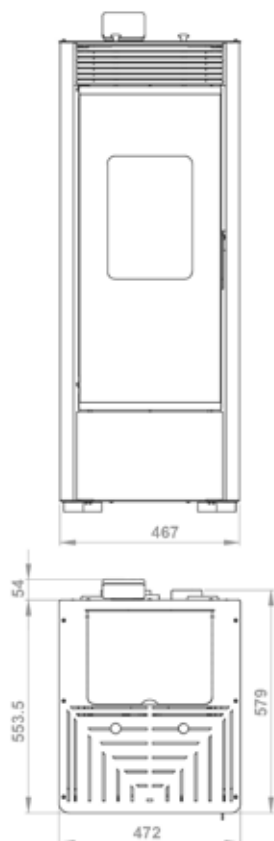


● Black

With ducts









Ceramic glass front door
Varnished steel covering



Max. heating volume (cubic meter)*	320	Electrical power supply (V/Hz)	230/50
Power selection	5	Electrical power by switching on (W)	259
Global thermal power heat input (kW)	12,60	Electrical power consumption at max power (W)	78
Nominal thermal power heat output (kW)	11,17	Electrical power consumption at min power (W)	47
Min. thermal power (kW)	3,10	Ducts pipe diameter (Ø mm)	80
Efficiency (%) max	96,1	Smoke exhaust pipe diameter (Ø mm)	80
Fuel consumption hourly (Kg/h)	0,66-2,6	Intake pipe diameter (Ø mm)	44
Pellet tank capacity (kg)	30	Net/Gross weight (kg)	109/124
		Packaging measures (cm)	64x56 h140

TMC 1250 Power Glass Air

- 
Saving
 Excellent value for money – good performance – lower consumption.
- 
Practicality
 High autonomy thanks to the big pellet feed tank – big inner ashtray – air jet self-cleaning brazier – Silent switch off function (Soft cool and quiet cool) – automatic switch off when the set temperature is exceeded. Automatic re-start function.
- 
Versatility
 Easy and intuitive setting – weekly programming hour by hour – 5 different settings for different pellet types.
- 
Safety
 Protection device avoiding the over temperature of the big pellet feed tank – safety pressure switch – thermal protection for motor overheating – smoke temperature probe – anti burst device – certified by the most important Standard Institutes
- 
2 years Warranty
- 
WiFi function


TMC 900
Elegance

Energy Class A+
(A++ <> G)



10,5 kW Global thermal power
9,0 kW Nominal thermal power

Maximum heating volume
250 cubic meter*

 Autonomy
until 25 hours


Dimensions
L 46,6x H 104,9 x W 50,1 cm

Efficiency max 96%

Consumption Kg/h
Min. 0,6 – max. 2,2

Certification: **IMQ**

PU210
Elegance

Air Stove 

Pellet 

Wifi 



✓ **Mechanical scrapers**
Regularly activated the mechanical scrapers help to keep the machine efficiency and to reduce the consumption.

✓ **Stand-by function**
Switching off function of the stove when the set temperature is exceeded. Automatic re-start function.

✓ **Big pellet feed tank.**
It allows a big usage autonomy.

✓ **Daily and weekly programming**
This function allows the programming of the switching on and switching off for every single day of the week, hour by hour, in an easy and intuitive graphic format.

✓ **Wifi**
Control via Wifi with app MAGIC STOVE download at App Store and Play Store.



Cast iron brazier • Retractable graphic display • Pellet type function • Silent switch off • Self-cleaning brazier • Big inner ashtray • Room ventilation • Motor with encoder

Made in Italy

 **TMC**
PELLET TECHNOLOGY



● Grey/Black



● Bordeaux/Black



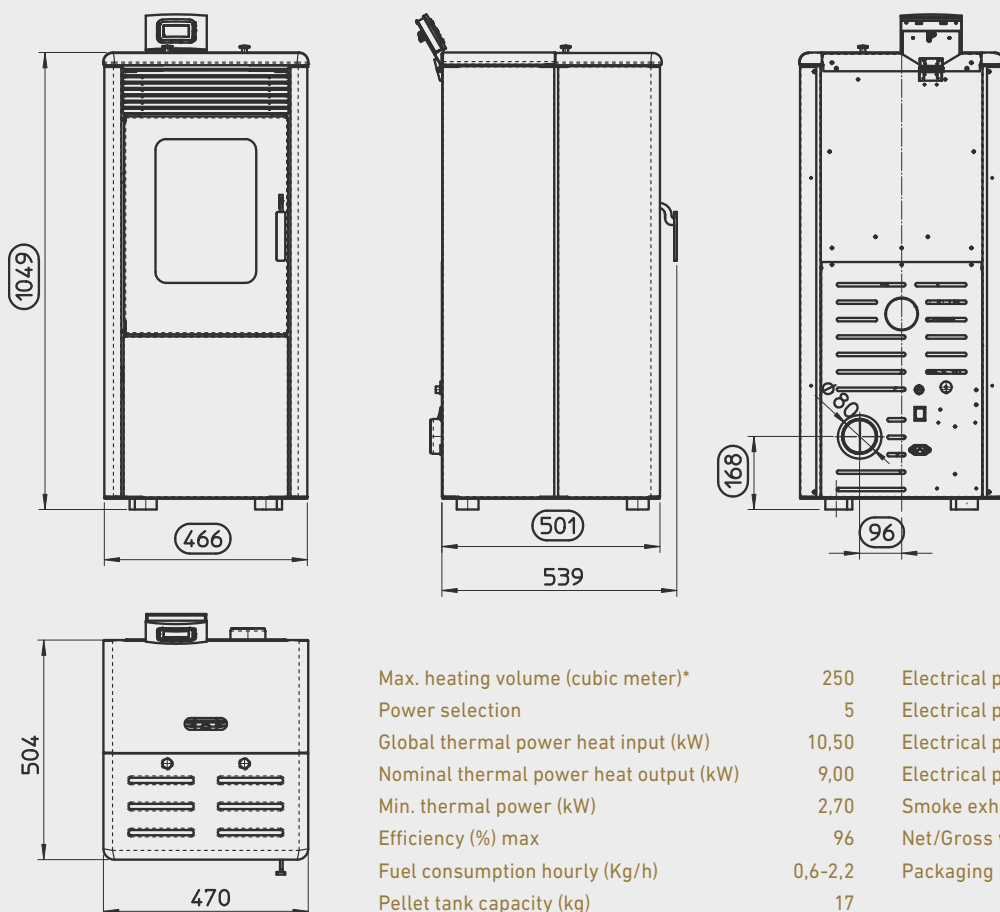
● White/Black



● White/White



Bicolour lateral panels • Ceramic top • Steel covering • Panoramic door



Max. heating volume (cubic meter)*	250	Electrical power supply (V/Hz)	230/50
Power selection	5	Electrical power by switching on (W)	299
Global thermal power heat input (kW)	10,50	Electrical power consumption at max power (W)	91
Nominal thermal power heat output (kW)	9,00	Electrical power consumption at min power (W)	51
Min. thermal power (kW)	2,70	Smoke exhaust pipe diameter (Ø mm)	80
Efficiency (%) max	96	Net/Gross weight (kg)	93/106
Fuel consumption hourly (Kg/h)	0,6-2,2	Packaging measures (cm)	60x60 h124
Pellet tank capacity (kg)	17		

TMC 900 Elegance



Saving

Excellent value for money – good performance – lower consumption.



Practicality

High autonomy thanks to the big pellet feed tank – big inner ashtray – air jet self-cleaning brazier – Silent switch off function (Soft cool and quiet cool) – automatic switch off when the set temperature is exceeded. Automatic re-start function.



Versatility

Easy and intuitive setting – weekly programming hour by hour – 5 different settings for different pellet types.



Safety

Protection device avoiding the over temperature of the big pellet feed tank – safety pressure switch – thermal protection for motor overheating – smoke temperature probe – anti burst device – certified by the most important Standard Institutes



2 years Warranty



WiFi function

TMC 900

Ronde

Energy Class A+
(A++ <> G)



PU210PO

10,5 kW Global thermal power
9,0 kW Nominal thermal power

Maximum heating volume
250 cubic meter*

⌚ Autonomy
until 25 hours

Dimensions
L 52x H 102,5 x W 58,6 cm

Efficiency max 96%

Consumption Kg/h
Min. 0,6 – max. 2,2

Certification: **IMQ**

Air Stove 

Pellet 

Wifi 



✓ **Mechanical scrapers**
Regularly activated the mechanical scrapers help to keep the machine efficiency and to reduce the consumption.

✓ **Stand-by function**
Switching off function of the stove when the set temperature is exceeded. Automatic re-start function.

✓ **Big pellet feed tank.**
It allows a big usage autonomy.

✓ **Daily and weekly programming**
This function allows the programming of the switching on and switching off for every single day of the week, hour by hour, in an easy and intuitive graphic format.

✓ **Wifi**
Control via Wifi with app MAGIC STOVE download at App Store and Play Store.

✓ **Cast iron brazier • Retractable graphic display • Pellet type function • Silent switch off • Self-cleaning brazier • Big inner ashtray • Room ventilation • Motor with encoder**



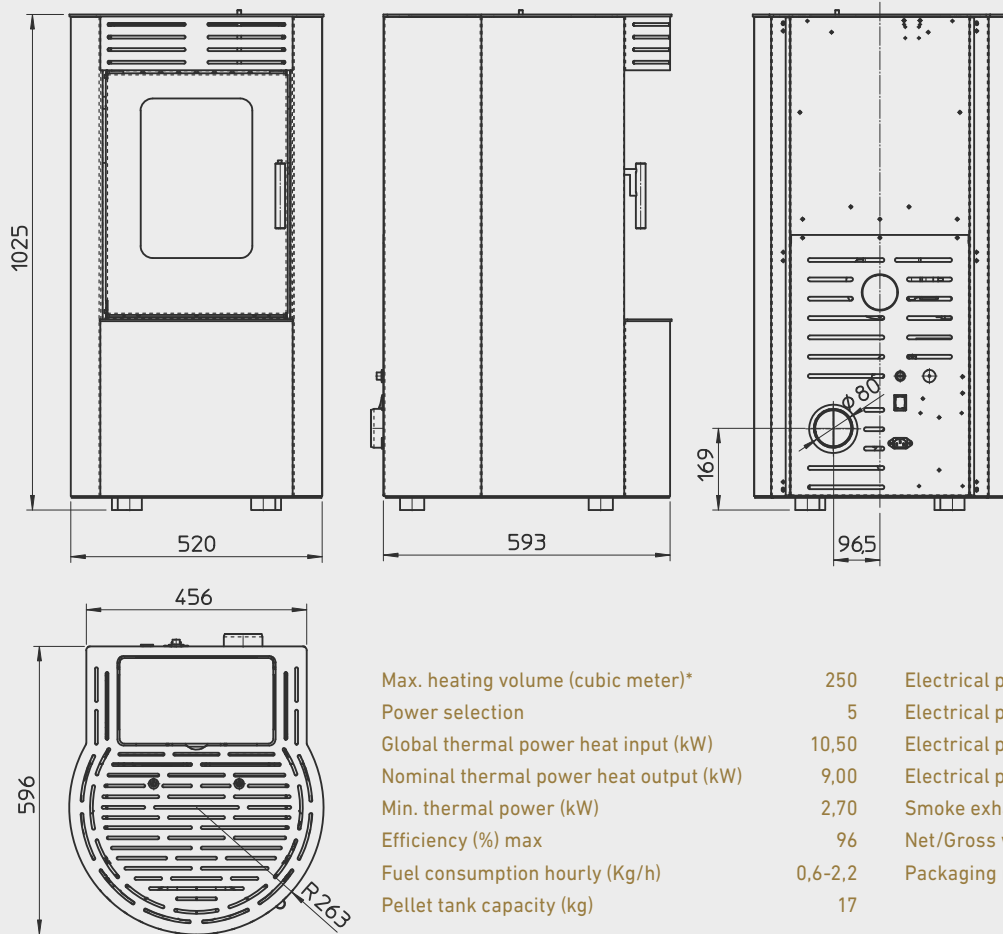
 White/Black



Varnished steel covering • Panoramic door

TMC 900

Ronde



Max. heating volume (cubic meter)*	250	Electrical power supply (V/Hz)	230/50
Power selection	5	Electrical power by switching on (W)	299
Global thermal power heat input (kW)	10,50	Electrical power consumption at max power (W)	91
Nominal thermal power heat output (kW)	9,00	Electrical power consumption at min power (W)	51
Min. thermal power (kW)	2,70	Smoke exhaust pipe diameter (Ø mm)	80
Efficiency (%) max	96	Net/Gross weight (kg)	94/113
Fuel consumption hourly (Kg/h)	0,6-2,2	Packaging measures (cm)	68x72 h125
Pellet tank capacity (kg)	17		

TMC 900 Ronde



Saving

Excellent value for money – good performance – lower consumption.



Practicality

High autonomy thanks to the big pellet feed tank – big inner ashtray – air jet self-cleaning brazier – Silent switch off function (Soft cool and quiet cool) – automatic switch off when the set temperature is exceeded. Automatic re-start function.



Versatility

Easy and intuitive setting – weekly programming hour by hour – 5 different settings for different pellet types.



Safety

Protection device avoiding the over temperature of the big pellet feed tank – safety pressure switch – thermal protection for motor overheating – smoke temperature probe – anti burst device – certified by the most important Standard Institutes



2 years Warranty



WiFi function

TMC 900

Ronde Glass

Energy Class A+
(A++ <> G)



10,5 kW Global thermal power

9,0 kW Nominal thermal power

Maximum heating volume
250 cubic meter*

⌂ Autonomy
until 25 hours


Dimensions
L 52x H 102,5 x W 58,6 cm

Efficiency max 96%

Consumption Kg/h
Min. 0,6 – max. 2,2

Certification: **IMQ**

PU210T0

Air Stove 

Pellet 

Wifi 



✓ **Mechanical scrapers**
Regularly activated the mechanical scrapers help to keep the machine efficiency and to reduce the consumption.

✓ **Stand-by function**
Switching off function of the stove when the set temperature is exceeded. Automatic re-start function.

✓ **Big pellet feed tank.**
It allows a big usage autonomy.

✓ **Daily and weekly programming**
This function allows the programming of the switching on and switching off for every single day of the week, hour by hour, in an easy and intuitive graphic format.

✓ **Wifi**
Control via Wifi with app MAGIC STOVE download at App Store and Play Store.



Cast iron brazier • Retractable graphic display • Pellet type function • Silent switch off • Self-cleaning brazier • Big inner ashtray • Room ventilation • Motor with encoder

Made in Italy

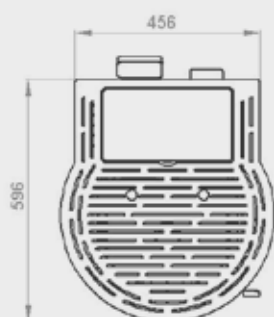
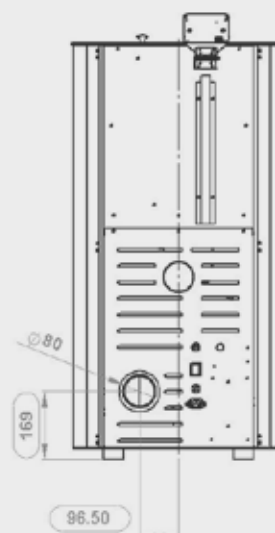
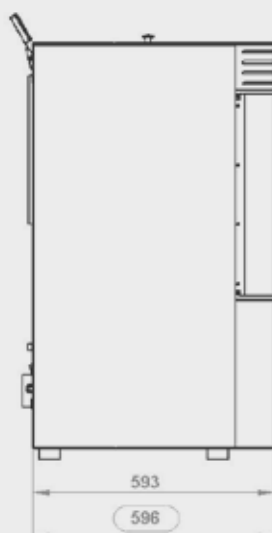
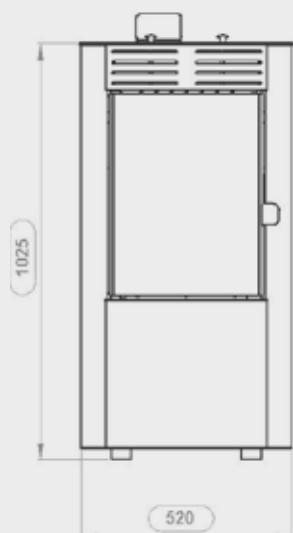
 **TMC**
PELLET TECHNOLOGY



 White/Black



Varnished steel covering • Panoramic door



Max. heating volume (cubic meter)*	250	Electrical power supply (V/Hz)	230/50
Power selection	5	Electrical power by switching on (W)	299
Global thermal power heat input (kW)	10,50	Electrical power consumption at max power (W)	91
Nominal thermal power heat output (kW)	9,00	Electrical power consumption at min power (W)	51
Min. thermal power (kW)	2,70	Smoke exhaust pipe diameter (Ø mm)	80
Efficiency (%) max	96	Net/Gross weight (kg)	94/113
Fuel consumption hourly (Kg/h)	0,6-2,2	Packaging measures (cm)	68x72 h125
Pellet tank capacity (kg)	17		

TMC 900 Ronde Glass



Saving

Excellent value for money – good performance – lower consumption.



Practicality

High autonomy thanks to the big pellet feed tank – big inner ashtray – air jet self-cleaning brazier – Silent switch off function (Soft cool and quiet cool) – automatic switch off when the set temperature is exceeded. Automatic re-start function.



Versatility

Easy and intuitive setting – weekly programming hour by hour – 5 different settings for different pellet types.



Safety

Protection device avoiding the over temperature of the big pellet feed tank – safety pressure switch – thermal protection for motor overheating – smoke temperature probe – anti burst device – certified by the most important Standard Institutes



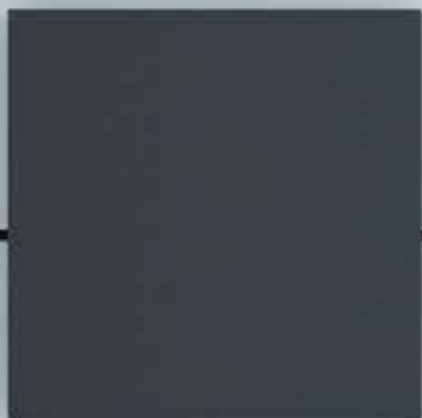
2 years Warranty



WiFi function

TMC 900
Kubo

Energy Class A+
(A++ <> G)




PP510A

10,2 kW Global thermal power

8,8 kW Nominal thermal power

Maximum heating volume
250 cubic meter*


 Autonomy
until 33 hours

Dimensions
L 64,2 x H 87,8 x W 54,5 cm

Efficiency max 92,5%

Consumption Kg/h
Min. 0,6 – max. 2,1

Certification: **IMQ**

Air Stove 

Pellet 

Wifi 



✓ **Retractable graphic display**
The display, easy to use, backlit and intuitive is installed on a moving frame which could be hidden on the back of the stove.

✓ **Silent switching off function**
It reduces the noise during the switching off phase, giving a bigger comfort.

✓ **Daily and weekly programming**
This function allows the programming of the switching on and switching off for every single day of the week, hour by hour, in an easy and intuitive graphic format.

✓ **Self-cleaning brazier**
A strong air jet acts cyclically cleaning the brazier and increases the intervals between the cleanings.

✓ **Pellet type function**
This function permits to choose under 5 different settings based on the type of pellet used.

✓ **Wifi**
Control via Wifi with app MAGIC STOVE download at App Store and Play Store.

✓ **Cast iron brazier • Mechanical scrapers • Stand by function
Big inner ashtray • Big pellet feed tank • Room ventilation
Motor with encoder**

Made in Italy

 **TMC**
PELLET TECHNOLOGY



● Black



○ White



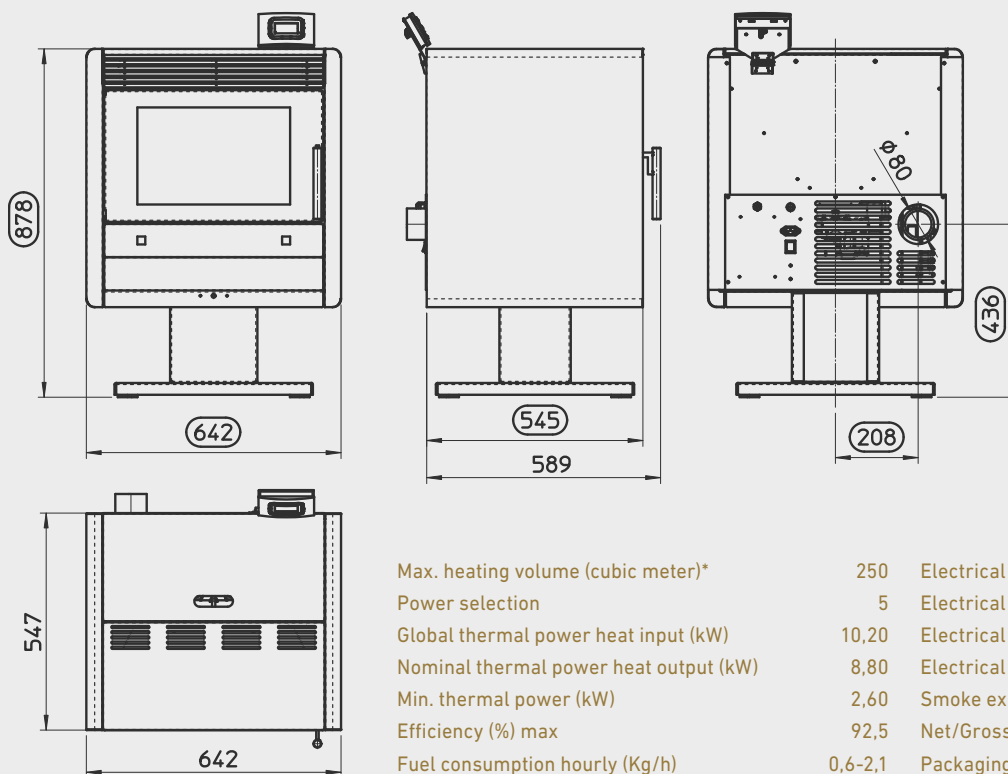
● Grey



● Bordeaux



Innovative design • Varnished steel covering • Panoramic door •
Stainless steel handle



Max. heating volume (cubic meter)*	250	Electrical power supply (V/Hz)	230/50
Power selection	5	Electrical power by switching on (W)	303
Global thermal power heat input (kW)	10,20	Electrical power consumption at max power (W)	92
Nominal thermal power heat output (kW)	8,80	Electrical power consumption at min power (W)	52
Min. thermal power (kW)	2,60	Smoke exhaust pipe diameter (Ø mm)	80
Efficiency (%) max	92,5	Net/Gross weight (kg)	106/115
Fuel consumption hourly (Kg/h)	0,6-2,1	Packaging measures (cm)	80x80 h100
Pellet tank capacity (kg)	20		

TMC 900 Kubo



Saving

Excellent value for money – good performance – lower consumption.



Practicality

High autonomy thanks to the big pellet feed tank – big inner ashtray – air jet self-cleaning brazier – Silent switch off function (Soft cool and quiet cool) – automatic switch off when the set temperature is exceeded. Automatic re-start function.



Versatility

Easy and intuitive setting – weekly programming hour by hour – 5 different settings for different pellet types.



Safety

Protection device avoiding the over temperature of the big pellet feed tank – safety pressure switch – thermal protection for motor overheating – smoke temperature probe – anti burst device – certified by the most important Standard Institutes



2 years Warranty



WiFi function

TMC 850
Plat

Energy Class A+
(A++ <> G)



P 26,2 cm

9,4 kW Global thermal power

8,5 kW Nominal thermal power

Maximum heating volume
240 cubic meter*

⌋ Autonomy until
34 hours

Dimensions
L 98 x H 97,7 x W 26,4 cm

Efficiency max 94%

Consumption Kg/h
Min. 0,5 – max. 1,9

Certification: **IMQ**

PP211B

Air Stove 

Pellet 

Wifi 



- ✓ **Pellet type function**
This function permits to choose under 5 different settings based on the type of pellet used.
- ✓ **Stand-by function**
Switching off function of the stove when the set temperature is exceeded. Automatic re-start function.
- ✓ **Daily and weekly programming**
This function allows the programming of the switching on and switching off for every single day of the week, hour by hour, in an easy and intuitive graphic format.

- ✓ **Self-cleaning brazier**
A strong air jet acts cyclically cleaning the brazier and increases the intervals between the cleanings.
- ✓ **Big pellet feed tank**
It allows a big usage autonomy.
- ✓ **Upper or back exhaust smoke outlet**
According to the user's needs, the exhaust smoke outlet could be installed on the back or upper part of the stove.
- ✓ **Wifi**
Control via Wifi with app MAGIC STOVE download at App Store and Play Store.



**Cast iron brazier • Mechanical scrapers • Silent switch off
Big inner ashtray • Motor with encoder**

Made in Italy

 **TMC**
PELLET TECHNOLOGY



● Black



● Bordeaux



● Grey



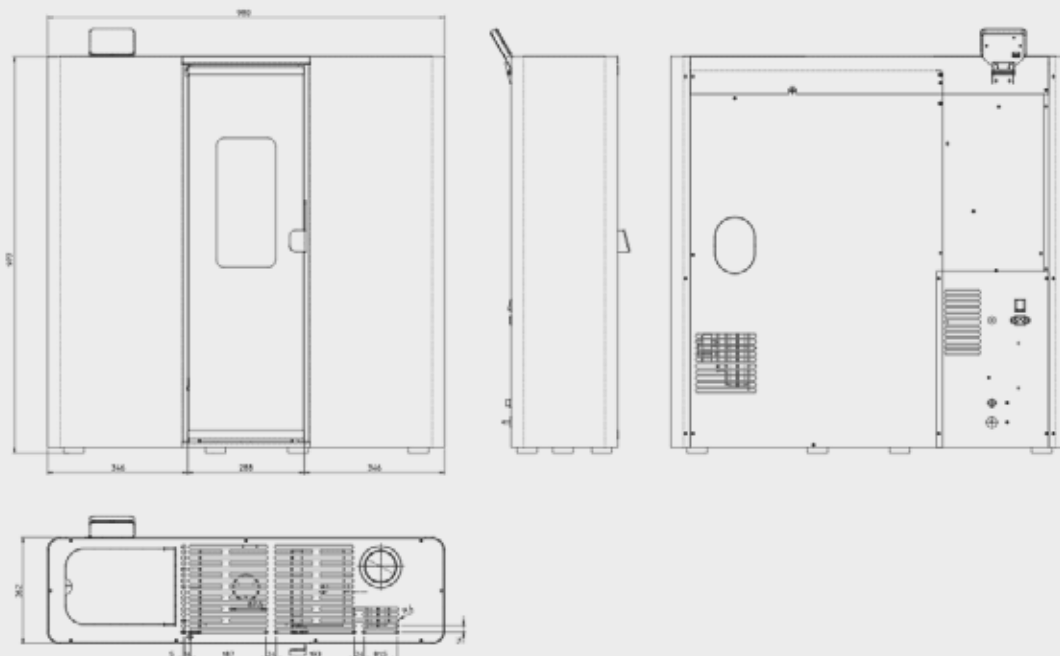
● White



Varnished steel covering • Panoramic door • Extra slim design

TMC 850

Plat



Max. heating volume (cubic meter)*	240	Electrical power supply (V/Hz)	230/50
Power selection	5	Electrical power by switching on (W)	327
Global thermal power heat input (kW)	9,40	Electrical power consumption at max power (W)	106
Nominal thermal power heat output (kW)	8,50	Electrical power consumption at min power (W)	64
Min. thermal power (kW)	2,30	Smoke exhaust pipe diameter (Ø mm)	80
Efficiency (%) max	94	Net/Gross weight (kg)	96/110
Fuel consumption hourly (Kg/h)	0,5-1,9	Packaging measures (cm)	40x105 h115
Pellet tank capacity (kg)	17		

TMC 850 Plat



Saving

Excellent value for money – good performance – lower consumption.



Practicality

High autonomy thanks to the big pellet feed tank – big inner ashtray – air jet self-cleaning brazier – Silent switch off function (Soft cool and quiet cool) – automatic switch off when the set temperature is exceeded. Automatic re-start function.



Versatility

Easy and intuitive setting – weekly programming hour by hour – 5 different settings for different pellet types.



Safety

Protection device avoiding the over temperature of the big pellet feed tank – safety pressure switch – thermal protection for motor overheating – smoke temperature probe – anti burst device – certified by the most important Standard Institutes



2 years Warranty



WiFi function

TMC 810
Elegance


Energy Class A+
(A++ <> G)



9,0 kW Global thermal power

8,1 kW Nominal thermal power

Maximum heating volume 230
cubic meter*

 Autonomy until
39 hours

Dimensions
L 46,6 x H 89,9 x W 50 cm

Efficiency max 95,3%

Consumption Kg/h
Min. 0,44 – max. 1,84

Certification: **IMQ**

PU207
Elegance

Air Stove 

Pellet 

Wifi 



✓ **Retractable graphic display**
The display, easy to use, backlit and intuitive is installed on a moving frame which could be hidden on the back of the stove.

✓ **Pellet type function**
This function permits to choose under 5 different settings based on the type of pellet used

✓ **Stand-by function**
Switching off function of the stove when the set temperature is exceeded. Automatic re-start function.

✓ **Self-cleaning brazier**
A strong air jet acts cyclically cleaning the brazier and increases the intervals between the cleanings.

✓ **Wifi**
Control via Wifi with app MAGIC STOVE download at App Store and Play Store.

✓ **Cast iron brazier • Pellet type function • Silent switch off • Daily and weekly programming • Big inner ashtray • Big pellet feed tank • Room ventilation • Motor with encoder**

Made in Italy

 **TMC**
PELLET TECHNOLOGY



● Grey/Black



● Bordeaux/Nero



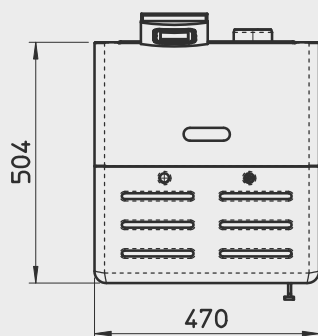
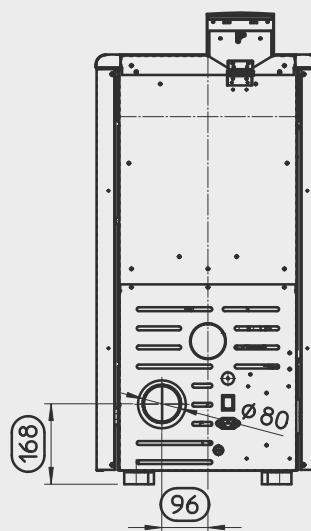
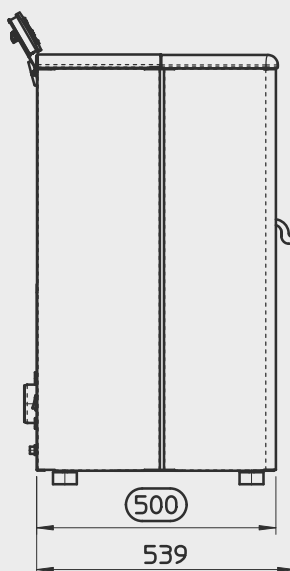
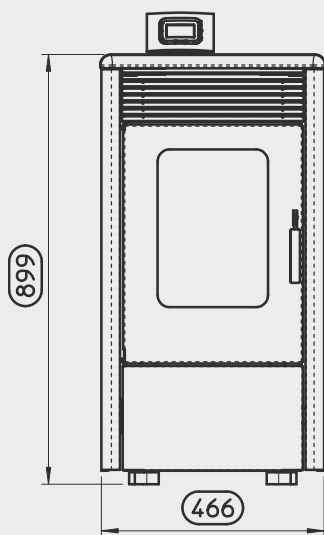
● White/Black



● White/White



Smooth out design • Ceramic top • Varnished steel covering • Panoramic door



Max. heating volume (cubic meter)*	230	Electrical power supply (V/Hz)	230/50
Power selection	5	Electrical power by switching on (W)	299
Global thermal power heat input (kW)	9,00	Electrical power consumption at max power (W)	78
Nominal thermal power heat output (kW)	8,14	Electrical power consumption at min power (W)	51
Min. thermal power (kW)	2,07	Smoke exhaust pipe diameter (Ø mm)	80
Efficiency (%) max	95,3	Net/Gross weight (kg)	80/93
Fuel consumption hourly (Kg/h)	0,44-1,84	Packaging measures (cm)	60x60 h124
Pellet tank capacity (kg)	17		

TMC 810 Elegance



Saving

Excellent value for money – good performance – lower consumption.



Practicality

High autonomy thanks to the big pellet feed tank – big inner ashtray – air jet self-cleaning brazier – Silent switch off function (Soft cool and quiet cool) – automatic switch off when the set temperature is exceeded. Automatic re-start function.



Versatility

Easy and intuitive setting – weekly programming hour by hour – 5 different settings for different pellet types.



Safety

Protection device avoiding the over temperature of the big pellet feed tank – safety pressure switch – thermal protection for motor overheating – smoke temperature probe – anti burst device – certified by the most important Standard Institutes



2 years Warranty



WiFi function

TMC 810

Glass

Energy Class A+
(A++ <> G)



9,0 kW Global thermal power

8,1 kW Nominal thermal power

Maximum heating volume 230 cubic meter*

⌚ Autonomy until 39 hours

Dimensions
L 52,7 x H 89,5 x W 52,2 cm

Efficiency max 95,3%

Consumption Kg/h
Min. 0,44 – max. 1,84

Certification: **IMQ**

PU207EV

Air Stove 

Pellet 

Wifi 



✓ **Ceramic glass frontal door**

✓ **Retractable graphic display**
The display, easy to use, backlit and intuitive is installed on a moving frame which could be hidden on the back of the stove.

✓ **Pellet type function**
This function permits to choose among 5 different settings based on the type of pellet used.

✓ **Silent switching off function**
It reduces the noise during the switching off phase, giving a bigger comfort.

✓ **Stand-by function**

Switching off function of the stove when the set temperature is exceeded. Automatic re-start function.

✓ **Wifi**
Control via Wifi with app MAGIC STOVE download at App Store and Play Store.



Cast iron brazier • Mechanical scrapers • Big pellet feed tank • Daily and weekly programming • Self-cleaning brazier • Motor with encoder • Room ventilation • Big inner ashtray

Made in Italy

 **TMC**
PELLET TECHNOLOGY



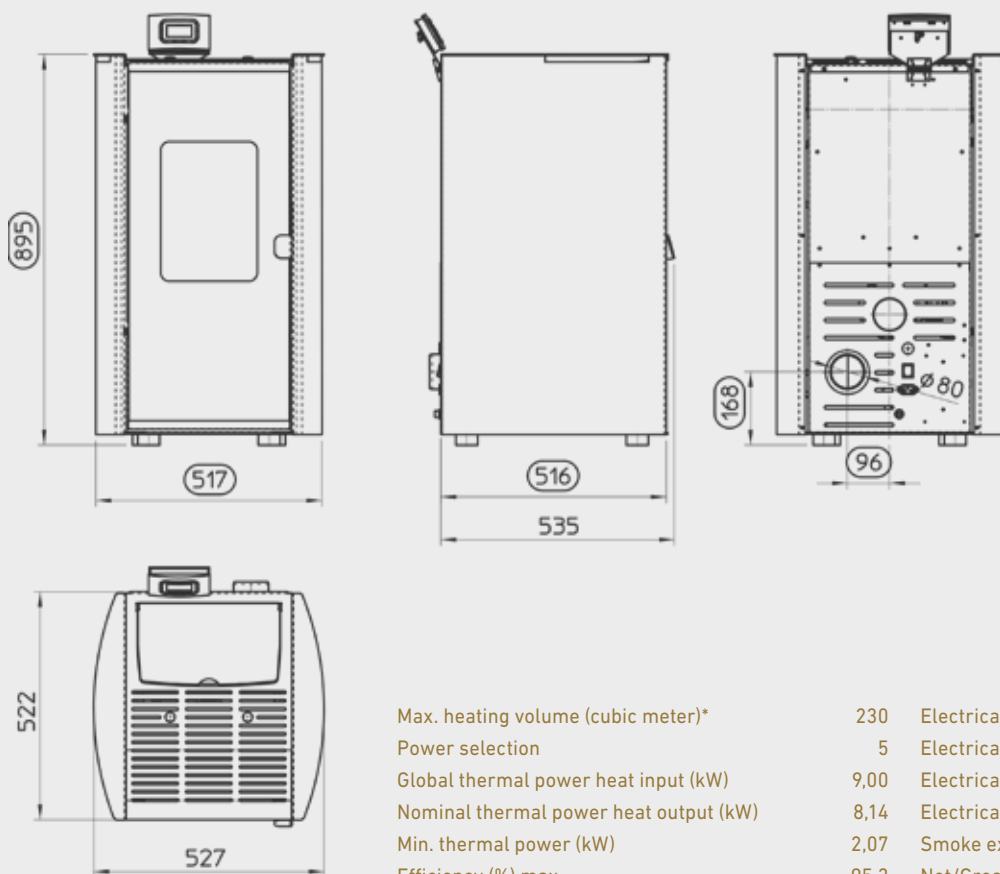
White/Black



Varnished steel covering • Ceramic glass frontal door

TMC 810

Glass



Max. heating volume (cubic meter)*	230	Electrical power supply (V/Hz)	230/50
Power selection	5	Electrical power by switching on (W)	299
Global thermal power heat input (kW)	9,00	Electrical power consumption at max power (W)	78
Nominal thermal power heat output (kW)	8,14	Electrical power consumption at min power (W)	51
Min. thermal power (kW)	2,07	Smoke exhaust pipe diameter (Ø mm)	80
Efficiency (%) max	95,3	Net/Gross weight (kg)	80/93
Fuel consumption hourly (Kg/h)	0,44-1,84	Packaging measures (cm)	60x60 h124
Pellet tank capacity (kg)	17		

TMC 810 Glass



Saving

Excellent value for money – good performance – lower consumption.



Practicality

High autonomy thanks to the big pellet feed tank – big inner ashtray – air jet self-cleaning brazier – Silent switch off function (Soft cool and quiet cool) – automatic switch off when the set temperature is exceeded. Automatic re-start function.



Versatility

Easy and intuitive setting – weekly programming hour by hour – 5 different settings for different pellet types.



Safety

Protection device avoiding the over temperature of the big pellet feed tank – safety pressure switch – thermal protection for motor overheating – smoke temperature probe – anti burst device – certified by the most important Standard Institutes



2 years Warranty



WiFi function

TMC 810

Classic

Energy Class A+
(A++ <> G)



PU208A

9,0 kW Global thermal power

8,1 kW Nominal thermal power

Maximum heating volume
230 cubic meter*

⌚ Autonomy until
39 hours

Dimensions
L 48,6 x H 95 x W 49,9 cm

Efficiency max 95,3%

Consumption Kg/h
Min. 0,44 – max. 1,84

Certification: **IMQ**

Air Stove 

Pellet 

Wifi 



✓ **Mechanical scrapers**
Regularly activated the mechanical scrapers help to keep the machine efficiency and to reduce the consumption.

✓ **Pellet type function**
This function permits to choose under 5 different settings based on the type of pellet used.

✓ **Daily and weekly programming**
This function allows the programming of the switching on and switching off for every single day of the week, hour by hour, in an easy and intuitive graphic format.

✓ **Stand-by function**
Switching off function of the stove when the set temperature is exceeded. Automatic re-start function.

✓ **Silent switching off function**
It reduces the noise during the switching off phase, giving a bigger comfort.

✓ **Big inner ashtray**
It allows a bigger ash stack and increases the intervals between the cleanings.

✓ **Wifi**
Control via Wifi with app MAGIC STOVE download at App Store and Play Store.

✓ **Cast iron brazier • Retractable graphic display • Self-cleaning brazier • Big pellet feed tank • Room ventilation • Motor with encoder**

Made in Italy

 **TMC**
PELLET TECHNOLOGY



● Grey



● Bordeaux



● Ivory

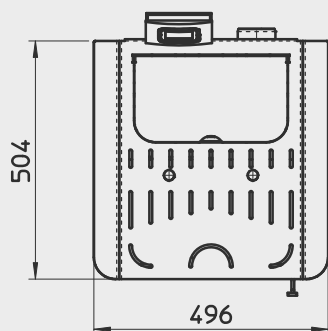
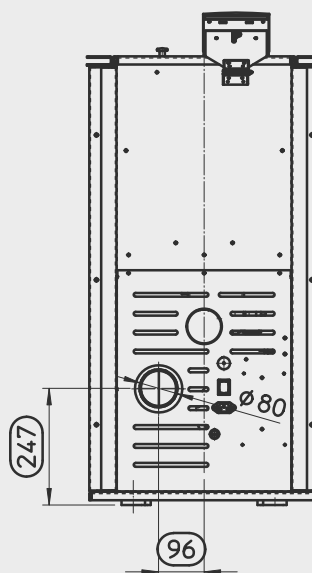
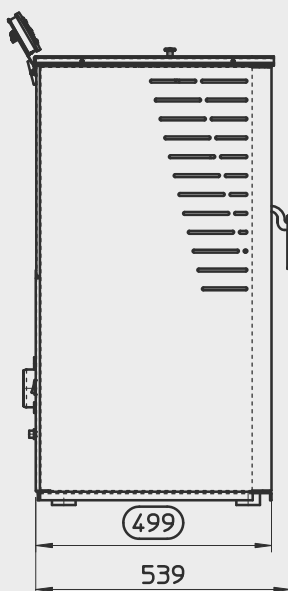
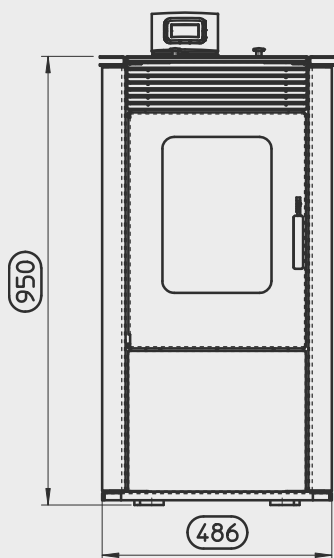
“ The fire of a stove is the strongest delight of every other thing.

(Anonimo)

”



Varnished steel covering • Panoramic door



Max. heating volume (cubic meter)*	230	Electrical power supply (V/Hz)	230/50
Power selection	5	Electrical power by switching on (W)	299
Global thermal power heat input (kW)	9,00	Electrical power consumption at max power (W)	78
Nominal thermal power heat output (kW)	8,14	Electrical power consumption at min power (W)	51
Min. thermal power (kW)	2,07	Smoke exhaust pipe diameter (Ø mm)	80
Efficiency (%) max	95,3	Net/Gross weight (kg)	86/99
Fuel consumption hourly (Kg/h)	0,44-1,84	Packaging measures (cm)	60x60 h124
Pellet tank capacity (kg)	17		

TMC 810 Classic



Saving

Excellent value for money – good performance – lower consumption.



Practicality

High autonomy thanks to the big pellet feed tank – big inner ashtray – air jet self-cleaning brazier – Silent switch off function (Soft cool and quiet cool) – automatic switch off when the set temperature is exceeded. Automatic re-start function.



Versatility

Easy and intuitive setting – weekly programming hour by hour – 5 different settings for different pellet types.



Safety

Protection device avoiding the over temperature of the big pellet feed tank – safety pressure switch – thermal protection for motor overheating – smoke temperature probe – anti burst device – certified by the most important Standard Institutes



2 years Warranty



WiFi function

TMC 600

Compact

Energy Class A+
(A++ <> G)



PU206A

7,4 kW Global thermal power

6,0 kW Nominal thermal power

Maximum heating volume
170 cubic meter*

⌚ Autonomy until
28 hours

Dimensions
L 46,6 x H 87,2 x W 50 cm

Efficiency max 96,5%

Consumption Kg/h
Min. 0,5 – max. 1,5

Certification: **IMQ**

Air Stove 

Pellet 

✓ **Cast iron brazier**
Helps to increase the temperature of combustion and to reduce the noise of the fall of the pellet.

✓ **Stand-by function**
Switching off function of the stove when the set temperature is exceeded. Automatic re-start function.

✓ **Daily and weekly programming**
This function allows the programming of the switching on and switching off for every single day of the week, and, if needed, a weekend program.

✓ **Self-cleaning brazier**
A strong air jet acts cyclically cleaning the brazier and increases the intervals between the cleanings.

✓ **Big pellet feed tank**
It allows a big usage autonomy.

✓ **Motor with encoder**
The functioning parameters are electronically checked in real time.

✓ **Big inner ashtray • Room ventilation • Big pellet feed tank • Motor with encoder**

Made in Italy

 **TMC**
PELLET TECHNOLOGY



● Grey/Black



● Bordeaux/Black



● White/Black

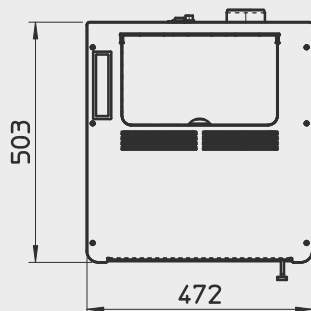
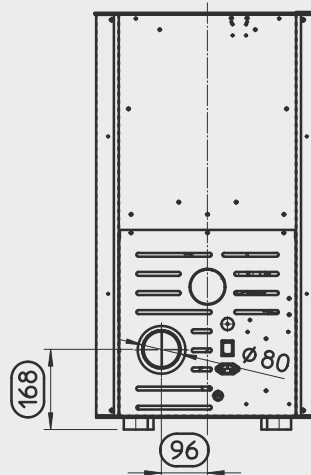
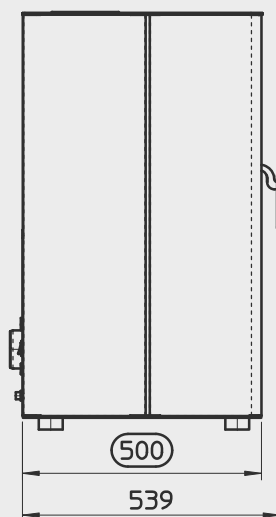
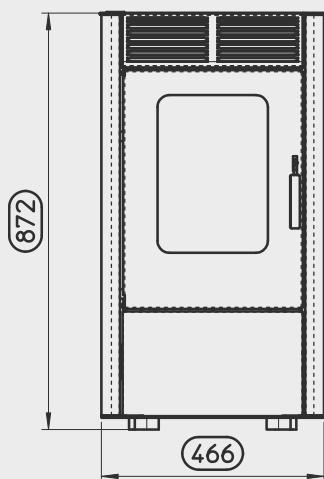


● White/White



Varnished steel covering • Panoramic door

TMC 600 Compact



Max. heating volume (cubic meter)*	170	Electrical power supply (V/Hz)	230/50
Power selection	5	Electrical power by switching on (W)	299
Global thermal power heat input (kW)	7,40	Electrical power consumption at max power (W)	76
Nominal thermal power heat output (kW)	6,00	Electrical power consumption at min power (W)	51
Min. thermal power (kW)	2,50	Smoke exhaust pipe diameter (Ø mm)	80
Efficiency (%) max	96,5	Net/Gross weight (kg)	80/93
Fuel consumption hourly (Kg/h)	0,5-1,5	Packaging measures (cm)	60x60 h125
Pellet tank capacity (kg)	17		

TMC 600 Compact



Saving

Excellent value for money – good performance – lower consumption.



Practicality

High autonomy thanks to the big pellet feed tank – big inner ashtray – air jet self-cleaning brazier – automatic switch off at the reaching of the set temperature with automatic re-start.



Versatility

Easy and intuitive setting – weekly programming – settings for different pellet types.



Safety

Protection device avoiding the over temperature of the big pellet feed tank – safety pressure switch – thermal protection for motor overheating – smoke temperature probe – anti burst device – certified by the most important Standard Institutes.



2 years Warranty

TMC 900
Relax

Energy Class A+
(A++ <> G)



IP509

10,5 kW Global thermal power
9,0 kW Nominal thermal power

Maximum heating volume
250 cubic meter*

⌚ Autonomy until
81 hours

Dimensions
L 73 x H 68,8 x W 70,4 cm

Efficiency max 92%

Consumption Kg/h
Min. 0,53 – max. 2,2

Certification: **IMQ**

Air Stove 

Pellet 



- ✓ **Loading tray**
It helps to load the pellet without additional operation.
- ✓ **Pellet type function**
This function permits to choose under 5 different settings based on the type of pellet used.
- ✓ **Silent switching off function**
It reduces the noise during the switching off phase, giving a bigger comfort.

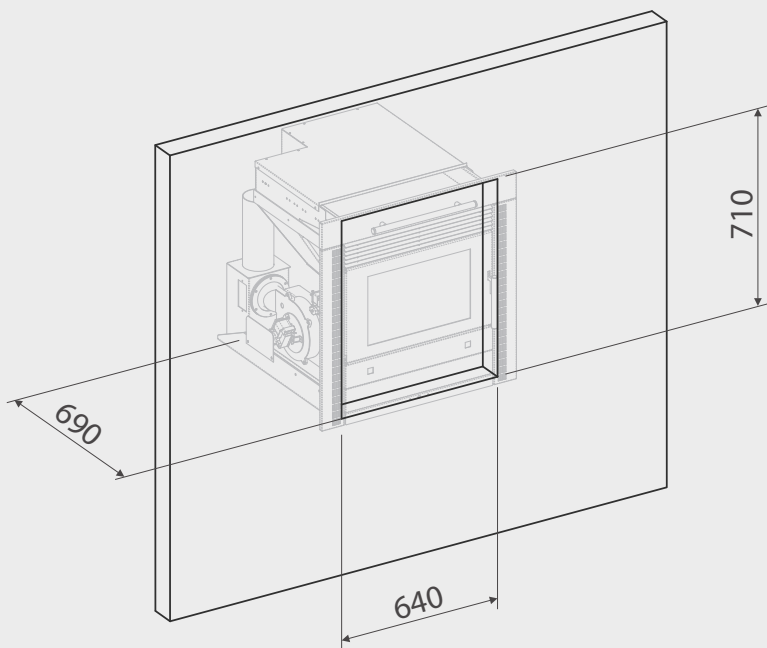
- ✓ **Daily and weekly programming**
This function allows the programming of the switching on and switching off for every single day of the week, hour by hour, in an easy and intuitive graphic format.
- ✓ **Supplied remote control**
You can manage the stove functions staying comfortably sitting on the sofa.

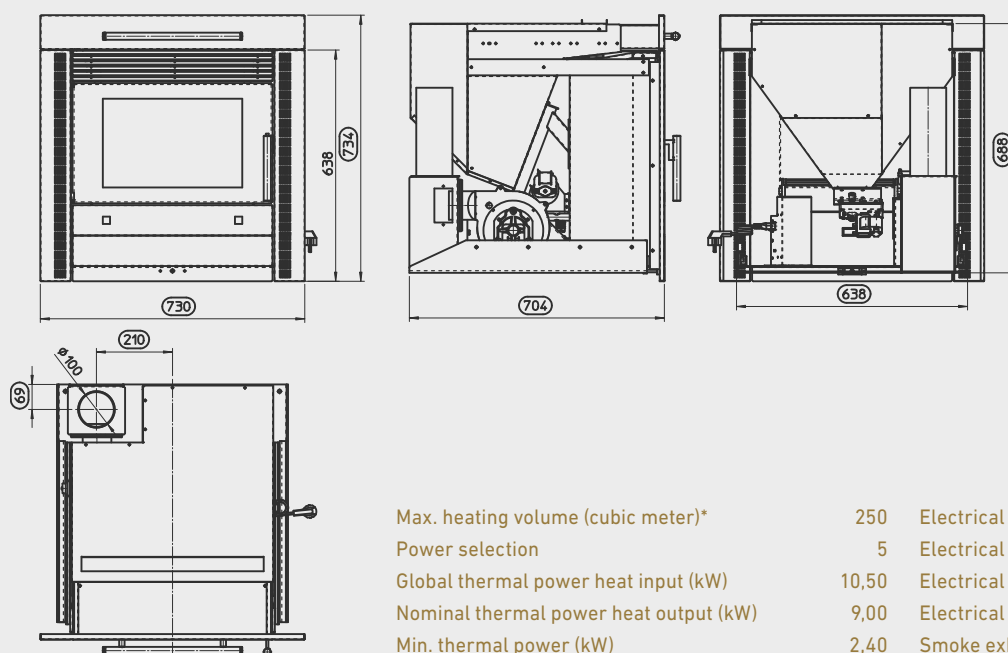


Cast iron brazier • Stand by function • Self-cleaning brazier • Big inner ashtray • Big pellet feed tank • Room ventilation • Motor with encoder

Made in Italy

 **TMC**
PELLET TECHNOLOGY





Max. heating volume (cubic meter)*	250	Electrical power supply (V/Hz)	230/50
Power selection	5	Electrical power by switching on (W)	303
Global thermal power heat input (kW)	10,50	Electrical power consumption at max power (W)	92
Nominal thermal power heat output (kW)	9,00	Electrical power consumption at min power (W)	52
Min. thermal power (kW)	2,40	Smoke exhaust pipe diameter (Ø mm)	80
Efficiency (%) max	92	Net/Gross weight (kg)	123/138
Fuel consumption hourly (Kg/h)	0,53-2,2	Packaging measures (cm)	80x80 h100
Pellet tank capacity (kg)	43		

TMC 900 Relax



Saving

Excellent value for money – good performance – lower consumption.



Practicality

High autonomy thanks to the big pellet feed tank – big inner ashtray – air jet self-cleaning brazier – Silent switch off function (Soft cool and quiet cool) – automatic switch off when the set temperature is exceeded. Automatic re-start function.



Versatility

Easy and intuitive setting – weekly programming hour by hour – remote control – Display with thermostat installable until 50 m away from stove (with cable) - 5 different settings for different pellet types.



Safety

Protection device avoiding the over temperature of the big pellet feed tank – safety pressure switch – thermal protection for motor overheating – smoke temperature probe – anti burst device – certified by the most important Standard Institutes



2 years Warranty



Smooth out design • Panoramic door • Stainless steel handle

TMC 700

Deluxe

Energy Class A+
(A++ ↔ G)



7,3 kW Global thermal power
6,7 kW Nominal thermal power

Maximum heating volume
190 cubic meter*

⌚ Autonomy until
22 hours


Dimensions
L 74,2 x H 73,4 x W 51 cm

Efficiency max 94,9%

Consumption Kg/h
Min. 0,54 – max. 1,53

Certification: **kiwa**

IP505

Air Stove 

Pellet 

Wifi 

- ✓ **Loading tray**
It helps to load the pellet without additional operation.
- ✓ **Pellet type function**
This function permits to choose under 5 different settings based on the type of pellet used.
- ✓ **Silent switching off function**
It reduces the noise during the switching off phase, giving a bigger comfort.

- ✓ **Daily and weekly programming**
This function allows the programming of the switching on and switching off for every single day of the week, hour by hour, in an easy and intuitive graphic format.
- ✓ **Supplied remote control**
You can manage the stove functions staying comfortably sitting on the sofa.

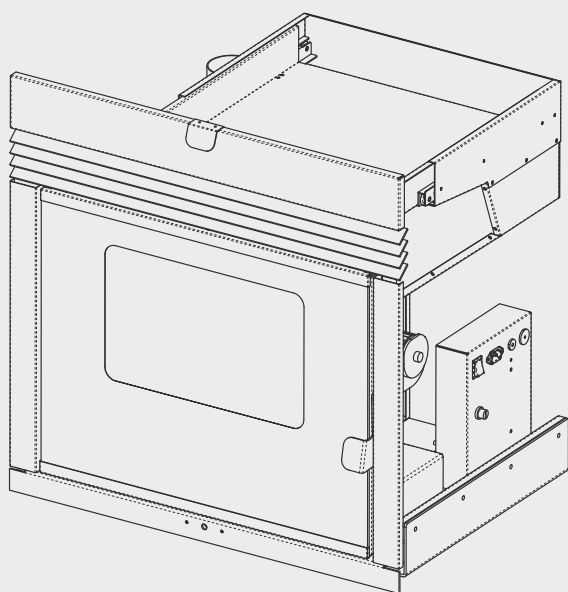
- ✓ **Wifi**
Control via Wifi with app MAGIC STOVE download at App Store and Play Store.

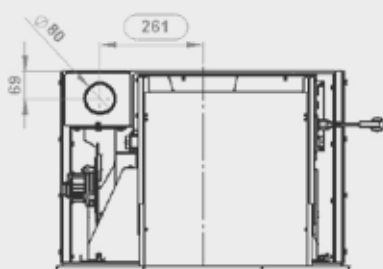
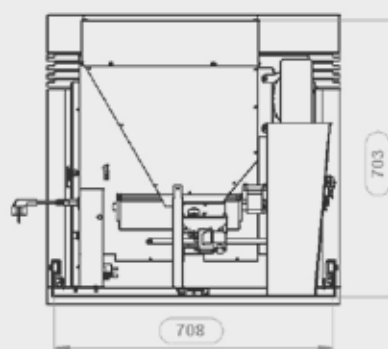
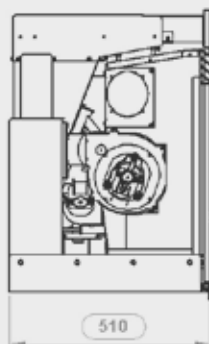
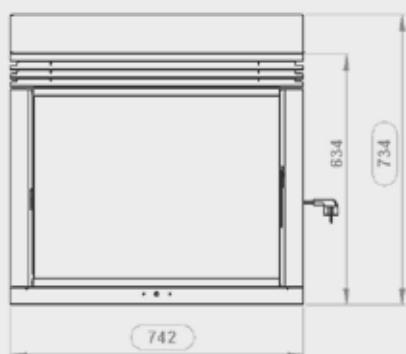


Cast iron brazier • Stand by function • Self-cleaning brazier • Big inner ashtray • Big pellet feed tank • Room ventilation • Motor with encoder

Made in Italy

 **TMC**
PELLET TECHNOLOGY





Max. heating volume (cubic meter)*	190	Electrical power supply (V/Hz)	230/50
Power selection	5	Electrical power by switching on (W)	306
Global thermal power heat input (kW)	7,30	Electrical power consumption at max power (W)	82
Nominal thermal power heat output (kW)	6,70	Electrical power consumption at min power (W)	41
Min. thermal power (kW)	2,50	Smoke exhaust pipe diameter (Ø mm)	80
Efficiency (%) max	94,9	Net/Gross weight (kg)	108/123
Fuel consumption hourly (Kg/h)	0,54-1,53	Packaging measures (cm)	85x80 h100
Pellet tank capacity (kg)	12		

TMC 700



Saving

Excellent value for money – good performance – lower consumption.



Practicality

High autonomy thanks to the big pellet feed tank – big inner ashtray – air jet self-cleaning brazier – Silent switch off function (Soft cool and quiet cool) – automatic switch off when the set temperature is exceeded. Automatic re-start function.



Versatility

Easy and intuitive setting – weekly programming hour by hour – remote control – 5 different settings for different pellet types.



Safety

Protection device avoiding the over temperature of the big pellet feed tank – safety pressure switch – thermal protection for motor overheating – smoke temperature probe – anti burst device – certified by the most important Standard Institutes



2 years Warranty



WiFi function



Smooth out design • Panoramic door • Ceramic Glass front door


TMC 800
Deluxe AIR

Energy Class A+
(A++ <> G)



8,8 kW Global thermal power
7,9 kW Nominal thermal power

Maximum heating volume
215 cubic meter*

 Autonomy until
20 hours

Dimensions
L 74,2 x H 73,4 x W 51 cm

Efficiency max 94,9%

Consumption Kg/h
Min. 0,54 – max. 1,83

Certification: **kiwa**

IP505C

Air Stove 

Pellet 

Wifi 

With duct 

✓ **Independent fan control**
The duct is controlled in independent way from dedicated fan

✓ **Graphic display**
Easy to use, backlit and intuitive.

✓ **Stand-by function**
Switching off function of the stove when the set temperature is exceeded. Automatic re-start function.

✓ **Wifi Control** via Wifi with app MAGIC STOVE download at App Store and Play Store.

✓ **Daily and weekly programming**
This function allows the programming of the switching on and switching off for every single day of the week, hour by hour, in an easy and intuitive graphic format.

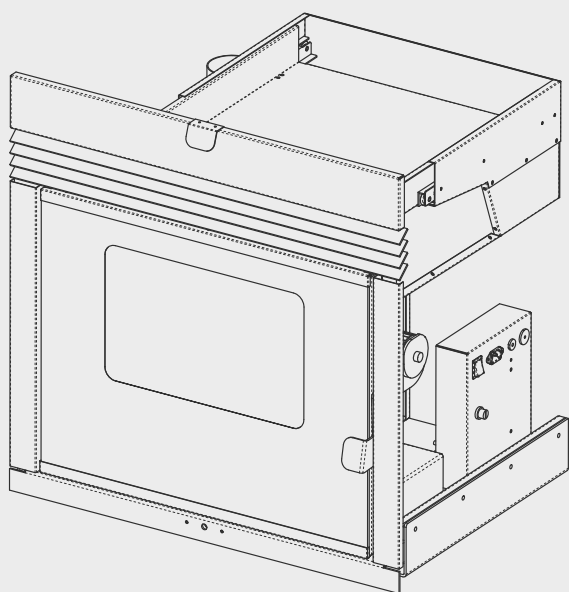
✓ **Self-cleaning brazier**
A strong air jet acts cyclically cleaning the brazier and increases the intervals between the cleanings.

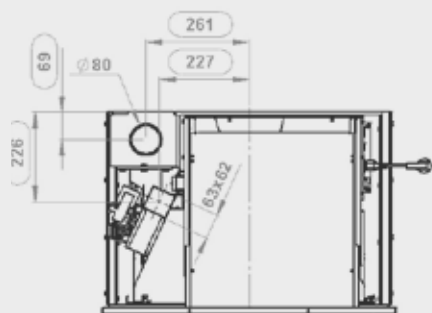
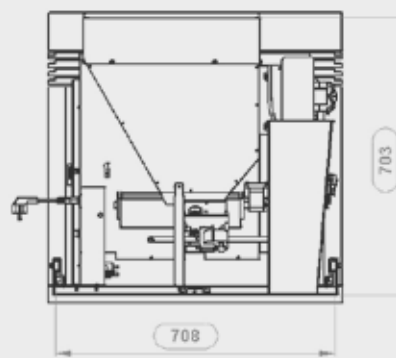
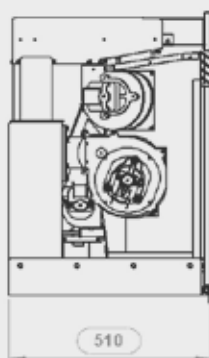
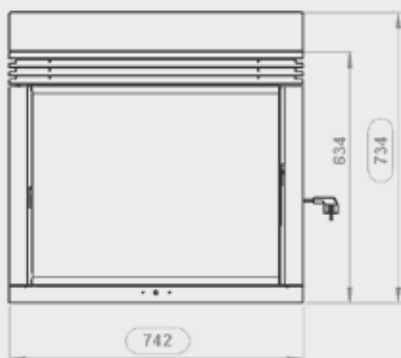
✓ **Big inner ashtray**
It allows a bigger ash stack and increases the intervals between the cleaning.

✓ **Cast iron brazier • Mechanical scrapers • Big pellet feed tank
Supplied remote control • Room ventilation • Motor with encoder**

Made in Italy

 **TMC**
PELLET TECHNOLOGY





Max. heating volume (cubic meter)*	215	Electrical power supply (V/Hz)	230/50
Power selection	5	Electrical power by switching on (W)	300
Global thermal power heat input (kW)	8,80	Electrical power consumption at max power (W)	124
Nominal thermal power heat output (kW)	7,90	Electrical power consumption at min power (W)	67
Min. thermal power (kW)	2,50	Smoke exhaust pipe diameter (Ø mm)	80
Efficiency (%) max	94,9	Net/Gross weight (kg)	108/123
Fuel consumption hourly (Kg/h)	0,54-1,83	Packaging measures (cm)	80x80 h110
Pellet tank capacity (kg)	12		

TMC 800 Deluxe AIR



Saving

Excellent value for money – good performance – lower consumption.



Practicality

High autonomy thanks to the big pellet feed tank – big inner ashtray – air jet self-cleaning brazier – Silent switch off function (Soft cool and quiet cool) – automatic switch off when the set temperature is exceeded. Automatic re-start function.



Versatility

Easy and intuitive setting – weekly programming hour by hour – remote control – 5 different settings for different pellet types.



Safety

Protection device avoiding the over temperature of the big pellet feed tank – safety pressure switch – thermal protection for motor overheating – smoke temperature probe – anti burst device – certified by the most important Standard Institutes



2 years Warranty



WiFi function



Smooth out design • Panoramic door • Ceramic Glass front door

PELLETS THERMO PRODUCTS



TMC 1650 Relax Idro	p. 68
TMC 1650 Style Idro	p. 72
TMC 1650 Black Idro	p. 76
TMC 1650 Glass Idro	p. 80

Nature's allies



TMC 1650

Relax Idro

Energy Class A+
(A++ <> G)



IP614

18,1 kW Global thermal power

16,5 kW Nominal thermal power

3,0 kW to the room

13,5 kW H₂O

Maximum heating volume
470 cubic meter*

⌚ Autonomy until
41 hours

Dimensions
L 92,7 x H 81,1 x W 71,8 cm

Efficiency max 92,5%

Consumption Kg/h
Min. 0,96 – max. 3,7

Certification: **IMQ**

* with reference to the heating needs of
30 kcal/h for each cubic meter

Pellet 

Water 

✓ **Loading tray**
It helps to load the pellet without additional operation.

✓ **Graphic display**
Easy to use, backlit and intuitive.

✓ **Self-cleaning brazier**
A strong air jet acts cyclically cleaning the brazier and increases the intervals between the cleanings.

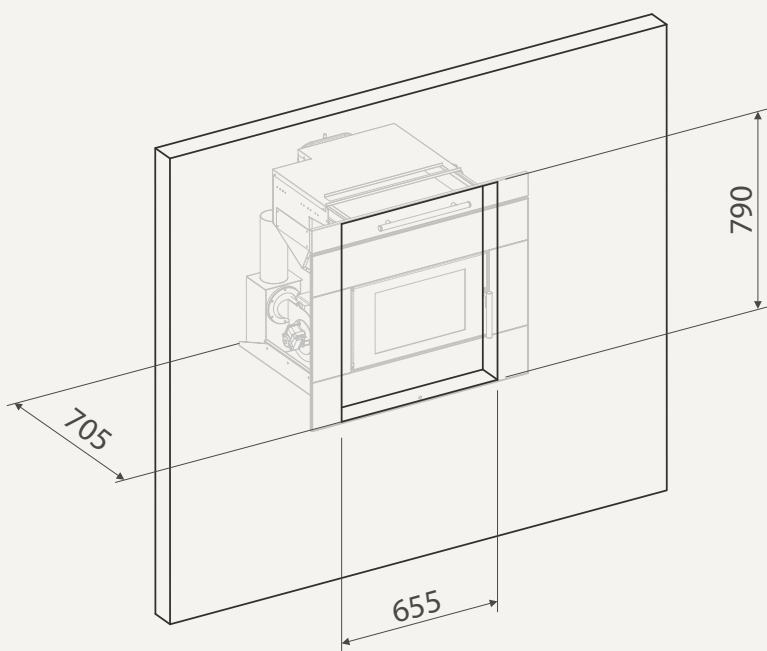
✓ **Big pellet feed tank**
It allows a big usage autonomy.

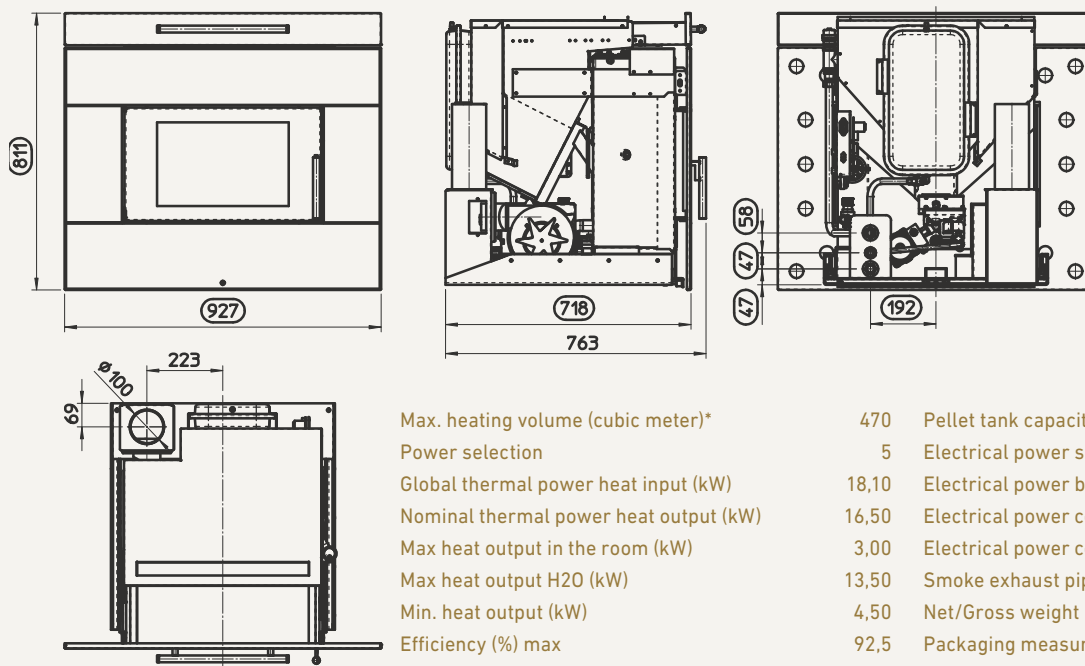


Cast iron brazier • Supplied remote control • Motor with encoder

Made in Italy

 **TMC**
PELLET TECHNOLOGY





TMC 1650 Relax Idro



Saving

Excellent value for money – good performance – lower consumption.



Practicality

High autonomy thanks to the big pellet feed tank – big inner ashtray – air jet self-cleaning brazier – Silent switch off function (Soft cool and quiet cool) – automatic switch off when the set temperature is exceeded. Automatic re-start function



Versatility

Easy and intuitive setting – supplied remote control.



Safety

Protection device avoiding the over temperature of the big pellet feed tank – safety pressure switch – thermal protection for motor overheating – smoke temperature probe – anti burst device – over pressure safety valve - certified by the most important Standard Institutes.



2 years Warranty



Smooth out design • Granit covering • Panoramic door • Stainless steel handle

TMC 1650

Style Idro

Energy Class A+
(A++ <> G)



IDR0216B

17,7 kW Global thermal power

16,0 kW Nominal thermal power

4,0 kW to the room

12,0 kW H₂O

Maximum heating volume
455 cubic meter*

⌚ Autonomy until
42 hours

Dimensions
L 58,4 x H 115,5 x W 62,6 cm

Efficiency max 93%

Consumption Kg/h
Min. 0,9 – max. 3,7

Certification: **IMQ**

Pellet 

Water 



✓ **Combustion monitoring sensor**
Electronic sensor which monitors and optimizes in real time the combustion and the consumption.

✓ **Mechanical scrapers**
Regularly activated the mechanical scrapers help to keep the machine efficiency and to reduce the consumption.

✓ **Daily and weekly programming**
This function allows the programming of the switching on and switching off for every single day of the week.

✓ **Self-cleaning brazier**
A strong air jet acts cyclically cleaning the brazier and increases the intervals between the cleanings.

✓ **Big pellet feed tank.**
It allows a big usage autonomy.

✓ **Supplied remote control**
You can manage the stove functions staying comfortably sitting on the sofa.



Cast iron brazier • Supplied remote control • Motor with encoder

Made in Italy

 **TMC**
PELLET TECHNOLOGY



○ White



● Moka



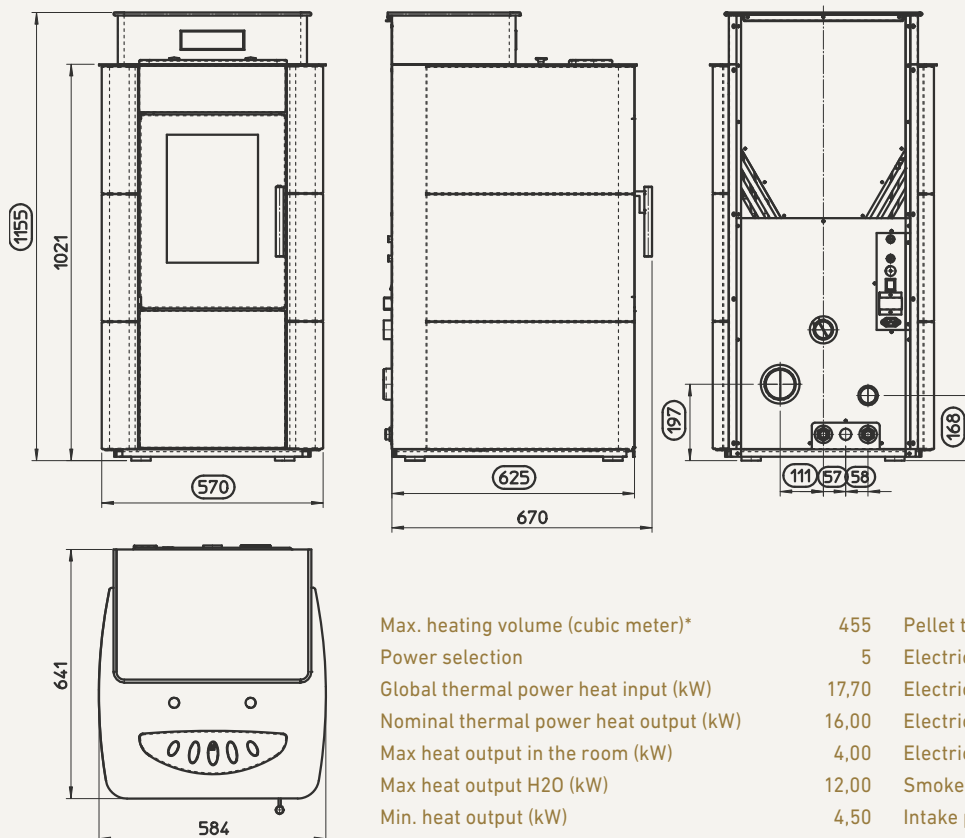
● Grey

“ You appeared
at the door
red dressed,
to say to me that
you are fire that
burns and revives.

(Giuseppe Ungaretti)



Handmade majolica covering • Smooth design • Panoramic door •
Stainless Steel Handle



Max. heating volume (cubic meter)*	455	Pellet tank capacity (kg)	42
Power selection	5	Electrical power supply (V/Hz)	230/50
Global thermal power heat input (kW)	17,70	Electrical power by switching on (W)	300
Nominal thermal power heat output (kW)	16,00	Electrical power consumption at max power (W)	145
Max heat output in the room (kW)	4,00	Electrical power consumption at min power (W)	133
Max heat output H2O (kW)	12,00	Smoke exhaust pipe diameter (Ø mm)	80
Min. heat output (kW)	4,50	Intake pipe diameter (Ø mm)	48
Efficiency (%) max	93	Net/Gross weight (kg)	180/195
Fuel consumption hourly (Kg/h)	0,9-3,7	Packaging measures (cm)	68x72 h138

TMC 1650 Style Idro



Saving

Excellent value for money – good performance – lower consumption.



Practicality

High autonomy thanks to the big pellet feed tank – big inner ashtray – air jet self-cleaning brazier



Versatility

Easy and intuitive setting – weekly programming hour by hour – remote control.



Safety

Protection device avoiding the over temperature of the big pellet feed tank – safety pressure switch – thermal protection for motor overheating – smoke temperature probe – anti burst device – over pressure safety valve - certified by the most important Standard Institutes.



2 years Warranty

TMC 1650

Black Idro

Energy Class A+
(A++ <> G)



17,7 kW Global thermal power

16,0 kW Nominal thermal power

4,0 kW to the room

12,0 kW H₂O

Maximum heating volume
455 cubic meter*

⌚ Autonomy until
42 hours

Dimensions
L 59,4 x H 115,5 x W 62,6 cm

Efficiency max 93%

Consumption Kg/h
Min. 0,9 – max. 3,7

Certification: **IMQ**

IDR0216A

Pellet 

Water 

✓ **Combustion monitoring sensor**
Electronic sensor which monitors and optimizes in real time the combustion and the consumption.

✓ **Mechanical scrapers**
Regularly activated the mechanical scrapers help to keep the machine efficiency and to reduce the consumption.

✓ **Daily and weekly programming**
This function allows the programming of the switching on and switching off for every single day of the week.

✓ **Self-cleaning brazier**
A strong air jet acts cyclically cleaning the brazier and increases the intervals between the cleanings.

✓ **Big inner ashtray**
It allows a bigger ash stack and reduce the intervals between the cleanings.

✓ **Supplied remote control**
You can manage the stove functions staying comfortably sitting on the sofa.



Cast iron brazier • Supplied remote control • Motor with encoder

Made in Italy

 **TMC**
PELLET TECHNOLOGY



● Black

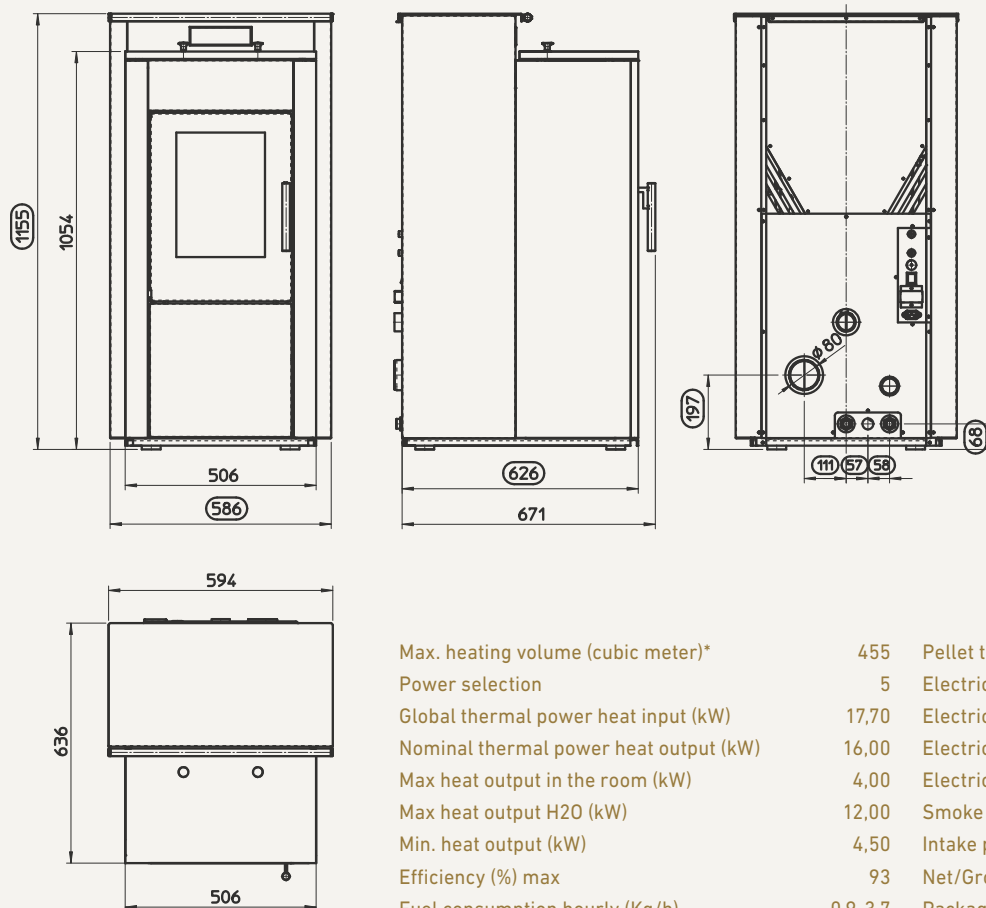
“ Fire is bright
and fire is clean
(Ray Bradbury) ”



Innovative design • granite covering • Panoramic door • Stainless Steel Handle

TMC 1650

Black Idro



Max. heating volume (cubic meter)*	455	Pellet tank capacity (kg)	42
Power selection	5	Electrical power supply (V/Hz)	230/50
Global thermal power heat input (kW)	17,70	Electrical power by switching on (W)	300
Nominal thermal power heat output (kW)	16,00	Electrical power consumption at max power (W)	145
Max heat output in the room (kW)	4,00	Electrical power consumption at min power (W)	133
Max heat output H2O (kW)	12,00	Smoke exhaust pipe diameter (Ø mm)	80
Min. heat output (kW)	4,50	Intake pipe diameter (Ø mm)	48
Efficiency (%) max	93	Net/Gross weight (kg)	184/199
Fuel consumption hourly (Kg/h)	0,9-3,7	Packaging measures (cm)	68x72 h138

TMC 1650 Black Idro



Saving

Excellent value for money – good performance – lower consumption.



Practicality

High autonomy thanks to the big pellet feed tank – big inner ashtray – air jet self-cleaning brazier



Versatility

Easy and intuitive setting – weekly programming hour by hour – remote control.



Safety

Protection device avoiding the over temperature of the big pellet feed tank – safety pressure switch – thermal protection for motor overheating – smoke temperature probe – anti burst device – over pressure safety valve - certified by the most important Standard Institutes.



2 years Warranty

TMC 1650

Glass Idro

Energy Class A+
(A++ <> G)



17,7 kW Global thermal power

16,0 kW Nominal thermal power

4,0 kW to the room

12,0 kW H₂O

Maximum heating volume
455 cubic meter*

⌋ Autonomy until
42 hours

Dimensions
L 49,5 x H 116,5 x W 54,4 cm

Efficiency max 92,5%

Consumption Kg/h
Min. 0,9 – max. 3,7

Certification: **IMQ**

IDR0216D

Pellet 

Water 

✓ **Combustion monitoring sensor**
Electronic sensor which monitors and optimizes in real time the combustion and the consumption.

✓ **Mechanical scrapers**
Regularly activated the mechanical scrapers help to keep the machine efficiency and to reduce the consumption.

✓ **Daily and weekly programming**
This function allows the programming of the switching on and switching off for every single day of the week.

✓ **Self-cleaning brazier**
A strong air jet acts cyclically cleaning the brazier and increases the intervals between the cleanings.

✓ **Big inner ashtray**
It allows a bigger ash stack and reduce the intervals between the cleanings.

✓ **Supplied remote control**
You can manage the stove functions staying comfortably sitting on the sofa.



Cast iron brazier • Supplied remote control • Motor with encoder

Made in Italy

 **TMC**
PELLET TECHNOLOGY



“ Fire is bright
and fire is clean

(Ray Bradbury)

”

● Grey/Black



Innovative design • Ceramic Glass front door • Varnished Steel Covering



Max. heating volume (cubic meter)*	455	Pellet tank capacity (kg)	42
Power selection	5	Electrical power supply (V/Hz)	230/50
Global thermal power heat input (kW)	17,70	Electrical power by switching on (W)	300
Nominal thermal power heat output (kW)	16,00	Electrical power consumption at max power (W)	145
Max heat output in the room (kW)	4,00	Electrical power consumption at min power (W)	133
Max heat output H2O (kW)	12,00	Smoke exhaust pipe diameter (Ø mm)	80
Min. heat output (kW)	4,50	Intake pipe diameter (Ø mm)	48
Efficiency (%) max	93	Net/Gross weight (kg)	149/164
Fuel consumption hourly (Kg/h)	0,9-3,7	Packaging measures (cm)	68x72 h138

TMC 1650 Glass Idro



Saving

Excellent value for money – good performance – lower consumption.



Practicality

High autonomy thanks to the big pellet feed tank – big inner ashtray – air jet self-cleaning brazier – automatic switch off at the reaching of the set temperature (with automatic re-start).



Versatility

Easy and intuitive setting – weekly programming hour by hour – remote control.



Safety

Protection device avoiding the over temperature of the big pellet feed tank – safety pressure switch – thermal protection for motor overheating – smoke temperature probe – anti burst device – over pressure safety valve - certified by the most important Standard Institutes.



2 years Warranty

Due to the continuous product development the features and the related technical details could change without notice.

The majolica is an handmade product and for this reason could have light tonality and dimension variation.

Different layouts, small different details are to be considered as peculiarities and not production flaws.

The presentation of the colours is only indicative, the tonalities could lightly change, as they are natural products.